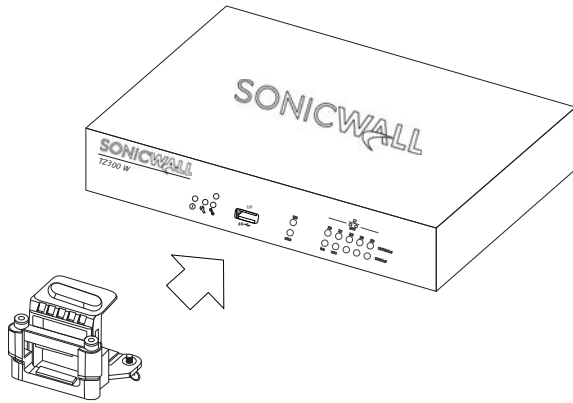


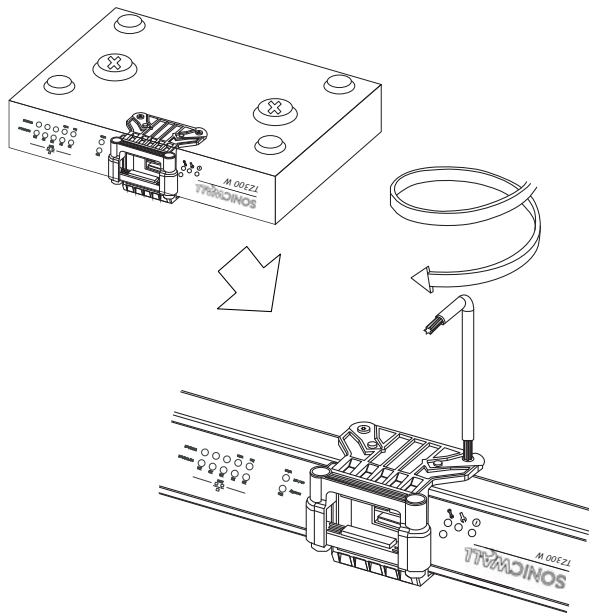
1 USB security clamp placement

The security clamp attaches to the USB port of the SonicWall TZ Series appliance.



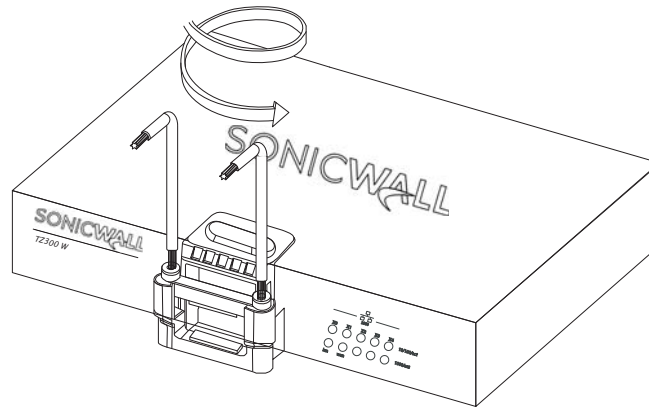
2 Attaching the clamp to the appliance

Use the screw torq to fasten the USB clamp to the bottom of the appliance.



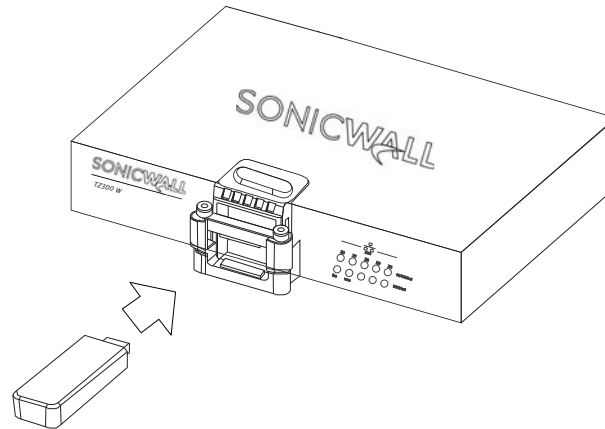
3 Preparing to insert the the USB device

With the appliance right side up, use the screw torq to loosen the two front screws.



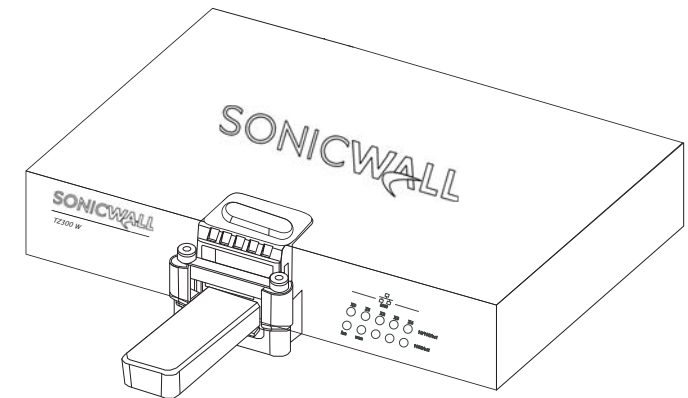
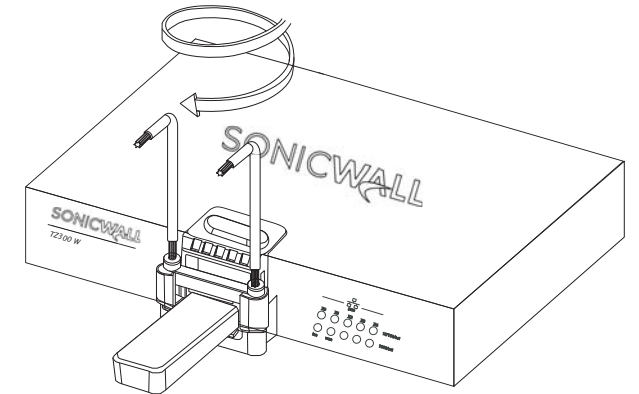
4 Inserting the USB device

Insert the USB device into the USB port.



5 Securing the USB device

Use the screw torq to tighten the two front screws of the USB clamp. This will secure the USB device in place.



6 Safety and regulatory information

For safety, environmental and regulatory information, refer to the documentation provided with the SonicWall appliance.

Copyright © 2017 SonicWall Inc. All rights reserved.

SonicWall is a trademark or registered trademark of SonicWall Inc. and/or its affiliates in the U.S.A. and/or other countries. All other trademarks are property of their respective owners.

The information in this document is provided in connection with SonicWall Inc. and/or its affiliates' products. No license, express or implied, by estoppel or otherwise, to any intellectual property right is granted by this document. SonicWall Inc. and/or its affiliates do not make any commitment to update the information contained in this document.

For more information, visit <http://www.sonicwall.com/legal>.

Legend



WARNING: A WARNING icon indicates a potential for property damage, personal injury, or death.



CAUTION: A CAUTION icon indicates potential damage to hardware or loss of data if instructions are not followed.



IMPORTANT, NOTE, TIP, MOBILE, or VIDEO: An information icon indicates supporting information.

TZ Series USB Clamp Installation and Assembly Guide
Updated - March 2017
232-003445-50 Rev A



SonicWall™ TZ Series USB Security Clamp

Installation and Assembly Guide